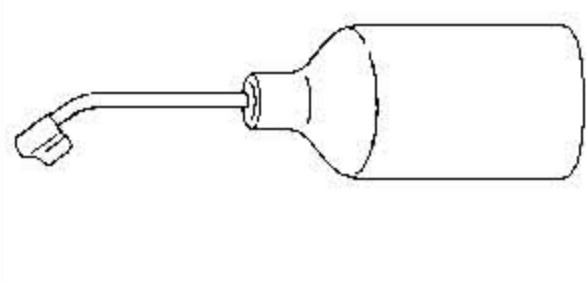

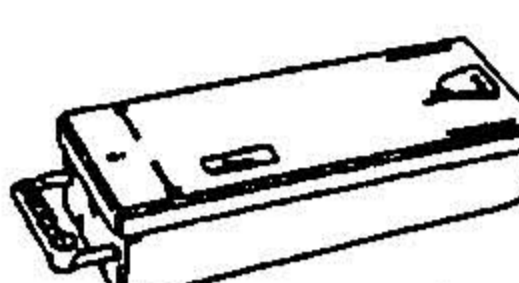
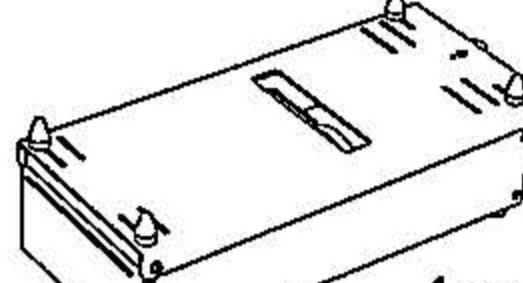








OTHER OPTIONAL PARTS

B0116 B0116 1pc. B0117A 1pc. B0117B 1pc. B0117C 4pcs.	B0117 B0117A 1pc. B0117B 1pc. B0117C 4pcs.	B0122 
--	--	---

B0208  B0208 1pc.	B0236BK  1pc.	B0237BK  1pc.
--	---	---

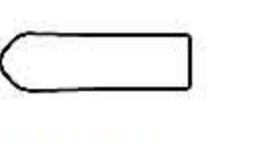


B0244  1pc.	B0301  B0301 1pc.	B0303  B0303 1pc.
--	---	---

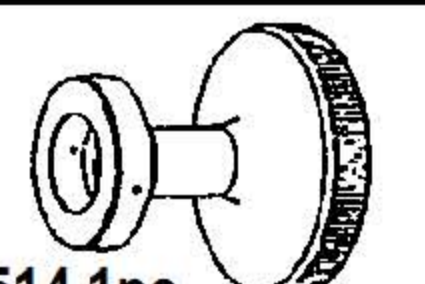
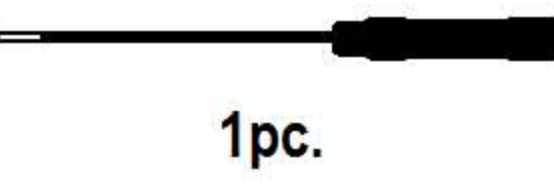

B0310~ 	B0330~  B0330 1pc.	B0341~ 
---	--	--

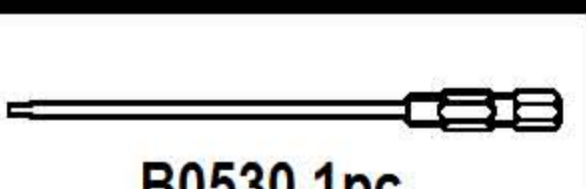
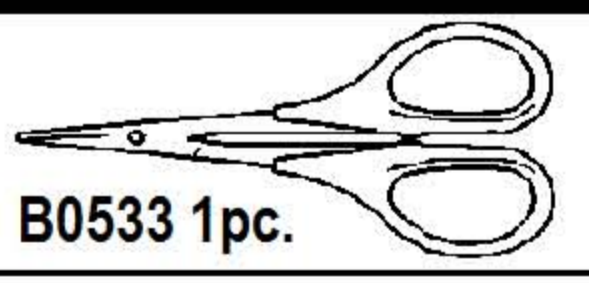
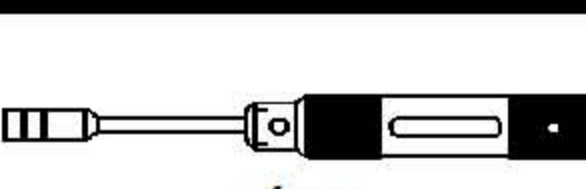
B0401  B0401 1pc.	B0406  B0406 2pcs.	B0407~  B0407 15pcs.
--	--	--

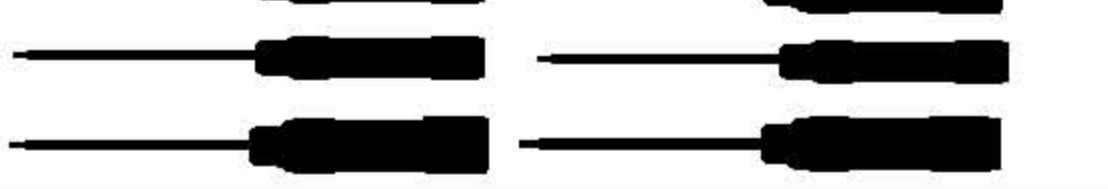
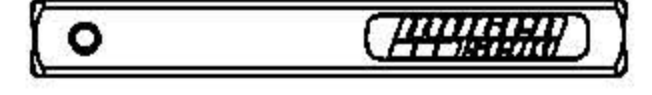
B0413  B0413 Gray	B0422  B0422 8pcs.	B0428  B0428 2pcs.
---	--	--

B0429 B0429 1pc.	B0430F 1pc.	B0430H 1pc.	B0430S 1pc.
B0430J 1pc.	B0430K 1pc.		


B0432  B0432 5pcs.	B0509  B0509 1pc.	B0510  B0510 1pc.
---	---	---

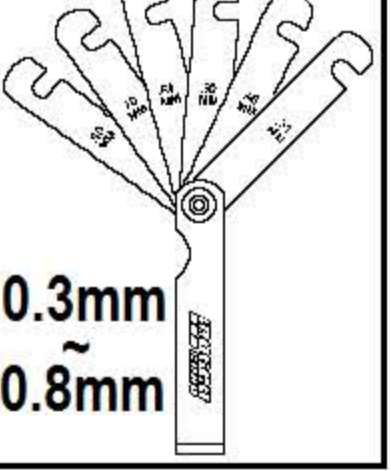
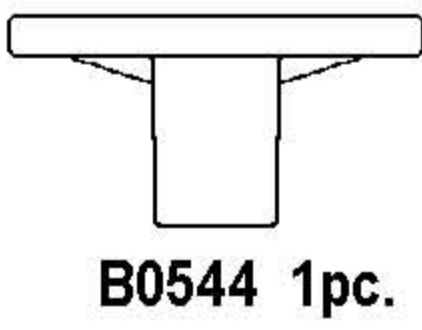
B0514  B0514 1pc.	B0522~  1pc.	B0522/1~  1pc.
--	--	--


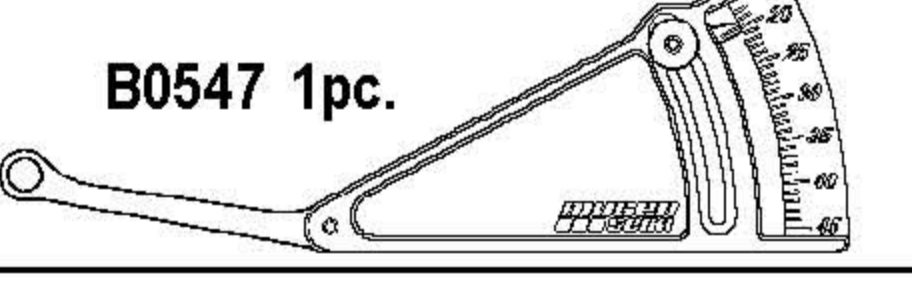
B0530~  B0530 1pc.	B0533  B0533 1pc.	B0535~  1pc.
---	---	--

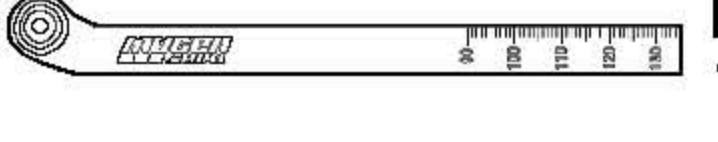

B0538 	B0539  B0539 2pcs.
--	--

B0540  B0540 1pc.	B0541 B0541D 1pc. B0541 1set RW-14 1pc.
--	--

B0541 D  B0541D 1pc.	B0542 B0542A 1pc. B0512B 1pc. SiG3x6 1pc. SK4x5 1pc.
---	---

B0543  0.3mm 0.8mm	B0544  B0544 1pc.	B0545 B0545A 1pc. B0545B 1pc. B0545C 1pc. SiG3x6 1pc. SK4x5 1pc.
---	---	---

B0546  B0546 1pc.	B0547  B0547 1pc.
--	---

B0548  B0548 1pc.	B0549  B0549 1pc.
--	---

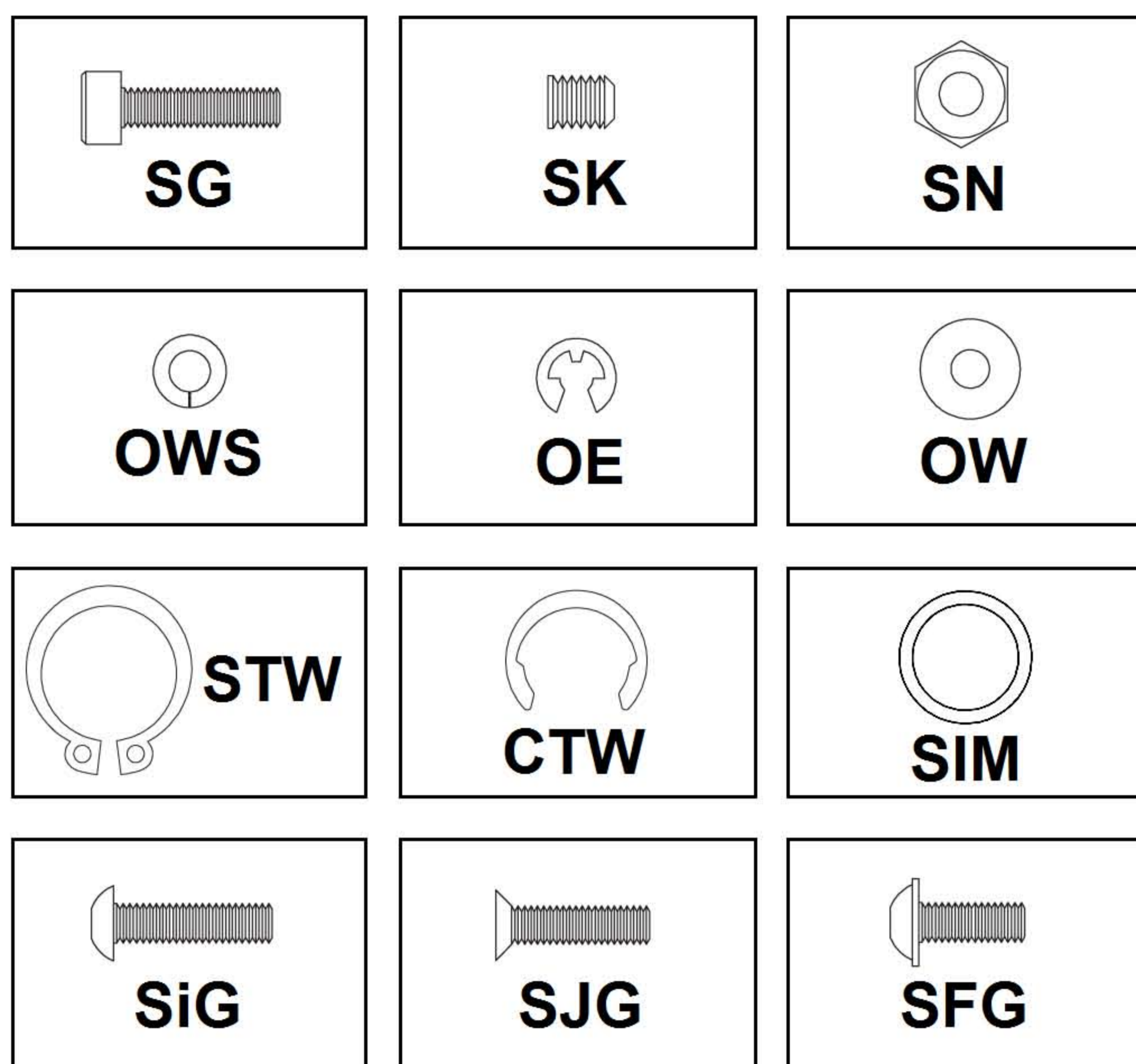
B0552 B0552A 1pc. SG2x6 1pc. B0552B 1pc. SiG3x8 1pc.	B0553 B0553A 1pc. SG2x6 1pc. B0552B 1pc. SiG3x8 1pc.
--	--

B0554 B0554A 1pc. B0554B 1pc. SK4x5 1pc. B0545C 1pc.	B0555 B0555A 1pc. B0555B 1pc.
--	---

- B0116 PRESSURE CHAMBER SET
- B0117 PRESSURE CHAMBER MOUNT
- B0122 FUEL BOTTLE 500ml
- B0208 ADAPTER FOR POCKET BOOSTER
- B0236BK PRO STARTER R3
- B0237BK PRO STARTER B3
- B0244 POCKET BOOSTER
- B0244/1a POCKET BOOSTER (WITH BATTERY)
- B0301 LOCK FIRM LIQUID
- B0303 ENGINE MAINTENANCE OIL
- B0310b SUPER SILICONE #100
- B0311b SUPER SILICONE #150
- B0312b SUPER SILICONE #200
- B0313b SUPER SILICONE #250
- B0314b SUPER SILICONE #300
- B0315b SUPER SILICONE #350
- B0316b SUPER SILICONE #400
- B0317c SILICONE FOR DIFF. #10000
- B0318c SILICONE FOR DIFF. #30000
- B0319c SILICONE FOR DIFF. #50000
- B0320d SILICONE FOR DIFF. #100000
- B0321a SILICONE FOR DIFF. #3000
- B0322a SILICONE FOR DIFF. #5000
- B0323b SILICONE FOR DIFF. #7000
- B0324a SILICONE FOR DIFF. #1000
- B0325a SUPER SILICONE #500
- B0326a SUPER SILICONE #600
- B0327a SUPER SILICONE #700
- B0328a SUPER SILICONE #800
- B0330 SUPER JOINT GREASE
- B0332a SUPER SILICONE #450
- B0333a SUPER SILICONE #550
- B0334a SILICONE FOR DIFF. #2000
- B0335a SILICONE FOR DIFF. #4000
- B0337c SILICONE FOR DIFF. #15000
- B0338c SILICONE FOR DIFF. #20000
- B0339 PREMIUM GREASE
- B0340 SUPER ONE-WAY GREASE
- B0341c SILICONE FOR DIFF. #60000
- B0343c SILICONE FOR DIFF. #80000
- B0345a SILICONE FOR DIFF. #200000
- B0347a SILICONE FOR DIFF. #300000
- B0348a SUPER SILICONE #650
- B0349a SILICONE FOR DIFF. #1000000
- B0350 SILICONE FOR DIFF. #6000
- B0351a SILICONE FOR DIFF. #500000
- B0401 SWITCH COVER
- B0406 BOTH SIDE TAPE
- B0407 FLAT WASHER 3mm
- B0408 FLAT WASHER 4mm
- B0413 COLOR SILICONE PIPE GRAY
- B0422 BODY PIN S
- B0428 VELCRO TAPE
- B0429a AL. SERVO HORN SET
- B0430a SERVO HORN PARTS
- B0432 ANTENNA CAP (5pcs.)
- B0509 SETTING DRIVER FOR ENGINE
- B0510 CAMBER GAUGE
- B0514 CLUTCH SPRING ADJ. TOOL
- B0522b (-) 0.5 SCREW DRIVER
- B0523b 1.5mm Hex. WRENCH
- B0524b 2.0mm Hex. WRENCH
- B0525b 2.5mm Hex. WRENCH
- B0526b 3.0mm Hex. WRENCH
- B0527b 2.0mm Ball-Hex. WRENCH
- B0528b 2.5mm Ball-Hex. WRENCH
- B0522/1a(-) 0.5 SCREW DRIVER TIP
- B0523/1a 1.5mm Hex. WRENCH TIP
- B0524/1a 2.0mm Hex. WRENCH TIP
- B0525/1a 2.5mm Hex. WRENCH TIP
- B0526/1a 3.0mm Hex. WRENCH TIP
- B0527/1a 2.0mm Ball-Hex. WRENCH TIP
- B0528/1a 2.5mm Ball-Hex. WRENCH TIP
- B0530a 2.0mm Hex. WRENCH TIP FOR ELECTRIC DRIVER
- B0531a 2.5mm Hex. WRENCH TIP FOR ELECTRIC DRIVER
- B0533 CURVED SCISSORS
- B0535c BOX WRENCH 5.5mm
- B0536c BOX WRENCH 7.0mm
- B0537c BOX WRENCH 5.0mm
- B0538a PROSPEC Hex. WRENCH SET
- B0539 HEIGHT GAUGE SPACER
- B0540a HEIGHT GAUGE
- B0541a PIN REPLACEMENT TOOL
- B0541D SPARE TIP FOR PIN REPLACEMENT TOOL

- B0542 PINION GEAR TOOL (MTX6/5)
- B0543 THICKNESS GAUGE (FOR CLUTCH)
- B0544 WHEEL NUT WRENCH
- B0545a PINION GEAR TOOL (MRX/MGT7)
- B0546a RIDE HEIGHT GAUGE R
- B0547a RIDE HEIGHT GAUGE B
- B0548a REBOUND STOP GAUGE
- B0549 TURN BUCKLE WRENCH FOR (4mm)
- B0552 ADJ. SERVO HORN AL. 23T(SANWA/KO)
- B0553 ADJ. SERVO HORN AL. 25T(FUTABA)
- B0554a PINION GEAR FOR TOOL MRX (0.8M)
- B0555 8mm/9mm WRENCH (MTC2)

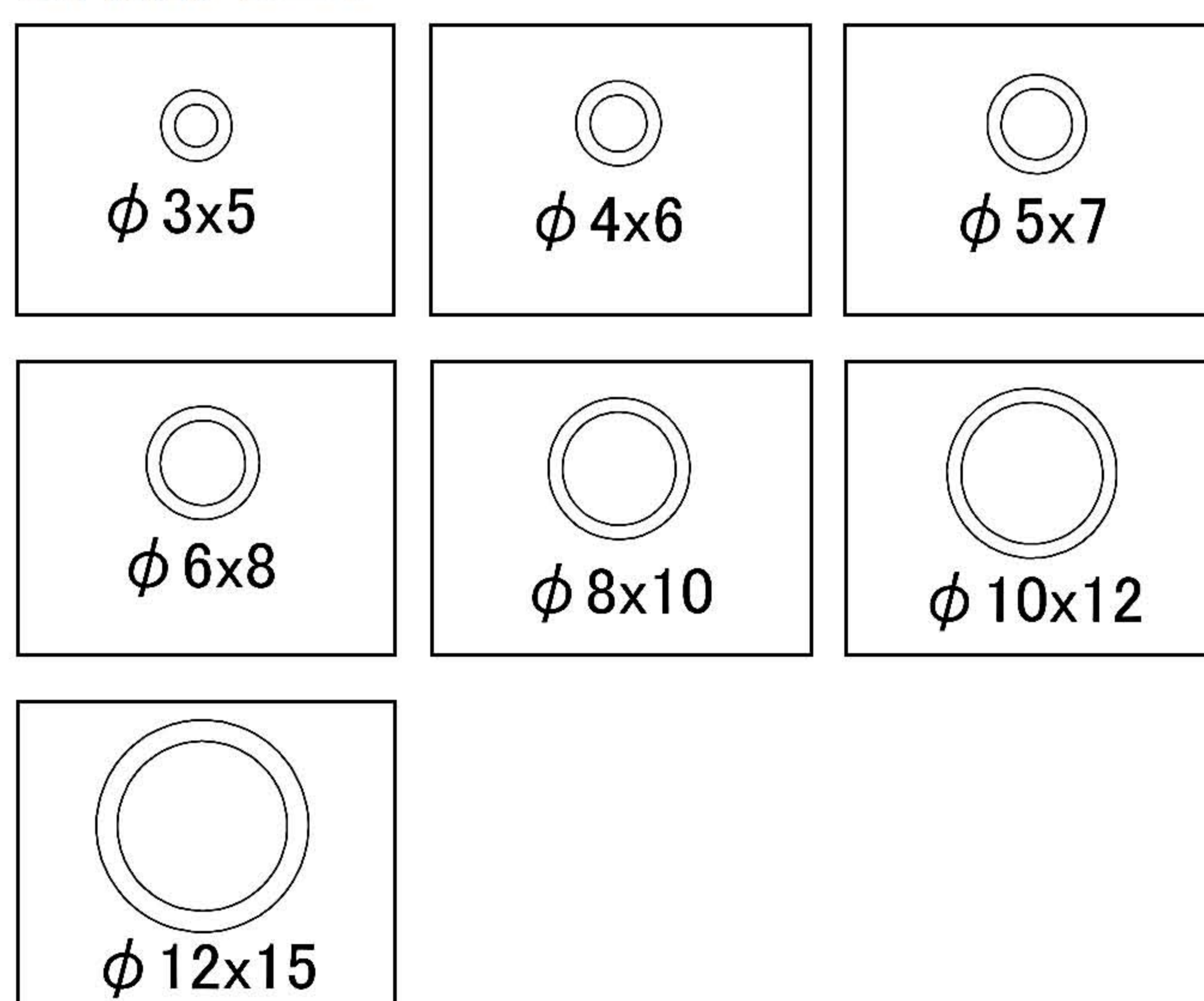
OTHER OPTIONAL PARTS



B0660 SG3x10 CAP SCREW
 B0661 SG3x23 CAP SCREW
 B06601 SG3x25 CAP SCREW
 B06602 SG2x6 CAP SCREW
 B06603 SG2.5x6 CAP SCREW
 B06604 SG2x8 CAP SCREW
 B06605 SG3x18 CAP SCREW
 B06606 SG2x10 CAP SCREW
 B06607 SG2.5x10 CAP SCREW
 B06608 SG2x4 CAP SCREW (8pcs.)
 B0662 SG3x8 CAP SCREW
 B0663 SG3x12 CAP SCREW
 B0664 SG3x16 CAP SCREW
 B0665 SG2.6x12 CAP SCREW
 B0668 SG2x5 CAP SCREW
 B0670 SK3x3 SET SCREW
 B06701 SK3x4 SET SCREW
 B0671 SK3x5 SET SCREW
 B0672 SK3x12 SET SCREW
 B0673 SK3x8 SET SCREW
 B0674 SK3x2.6 SET SCREW (6pcs.)
 B0675 SK3x16 SET SCREW
 B0676 SK3x6 SET SCREW
 B0677 SK3x10 SET SCREW
 B0680 SK4x4 SET SCREW
 B0681 SK4x5 SET SCREW
 B0682 SK4x8 SET SCREW
 B0690 SK5x5 SET SCREW
 B0712 SN2.6 NYLON NUT
 B0713 SN3 NYLON NUT
 B0714 SN4 NYLON NUT
 B0716 AL. FLANGE NUT 4mm (5pcs.)
 B07201 OWS3 SPRING WASHER
 B07202 OE-2.3 E-RING
 B0722 OE-2.5 E-RING
 B0723 OW3x8x0.5 WASHER
 B0724 OE-3 E-RING
 B0725 OW2.5x6x0.5 WASHER
 B0726 OE-5 E-RING
 B0727 OE-7 E-RING
 B0728 STW-14 SNAP RING (5pcs.)
 B0729 CTW-46 C-RING
 B0730 SiG3x8 B/H SCREW
 B07301 SiG3x23 B/H SCREW
 B07303 SiG4x10 B/H SCREW
 B07304 SiG2.5x8 B/H SCREW
 B07305 SiG3x5 B/H SCREW
 B07306 SiG2x6 B/H SCREW (8pcs.)
 B07307 SiG2x3 B/H SCREW (8pcs.)
 B0731 SiG3x10 B/H SCREW
 B0732 SiG3x12 B/H SCREW
 B0733 SiG3x14 B/H SCREW
 B0734 SiG3x16 B/H SCREW
 B0735 SiG3x18 B/H SCREW
 B0736 SiG3x6 B/H SCREW
 B0737 SiG3x20 B/H SCREW
 B0738a SiG3x25 B/H SCREW
 B0739 SiG3x4 B/H SCREW
 B0740 SJG3x8 F/H SCREW
 B07401 SJG2x8 F/H SCREW (8pcs.)
 B0741 SJG3x10 F/H SCREW
 B0742 SJG3x6 F/H SCREW
 B0743 SJG3x12 F/H SCREW
 B0746 SJG4x8 F/H SCREW
 B0747 SJG4x10 F/H SCREW
 B0748 SJG4x15 F/H SCREW
 B0749a SJG4x20 F/H SCREW
 B0750 SJG4x12 F/H SCREW
 B0752 SJG3x16 F/H SCREW
 B0753 SJG3x5 F/H SCREW
 B0754 SJG2x6 F/H SCREW
 B0755 SJG2.5x8 F/H SCREW
 B0756 SJG3x14 F/H SCREW
 B0757 SJG2x10 F/H SCREW (8pcs.)
 B0758 SJG2x16 F/H SCREW (8pcs.)
 B0759 SJG2.5x6 F/H SCREW
 B0761 SFG3x6 BF/H SCREW
 B0762 SFG3x8 BF/H SCREW

B0730Ta SiG3x8 B/H TITANIUM SCREW
 B07301Ta SiG3x23 B/H TITANIUM SCREW
 B07302Ta SiG3x28 B/H TITANIUM SCREW
 B07303T SiG3x5 B/H TITANIUM SCREW
 B0731Ta SiG3x10 B/H TITANIUM SCREW
 B0732Ta SiG3x12 B/H TITANIUM SCREW
 B0733Ta SiG3x14 B/H TITANIUM SCREW
 B0734Ta SiG3x16 B/H TITANIUM SCREW
 B0735Ta SiG3x18 B/H TITANIUM SCREW
 B0736Ta SiG3x6 B/H TITANIUM SCREW
 B0737Ta SiG3x20 B/H TITANIUM SCREW
 B0738T SiG3x25 B/H TITANIUM SCREW
 B0739T SiG3x4 B/H TITANIUM SCREW
 B0740Ta SJG3x8 F/H TITANIUM SCREW
 B0741Ta SJG3x10 F/H TITANIUM SCREW
 B0742Ta SJG3x6 F/H TITANIUM SCREW
 B0743Ta SJG3x12 F/H TITANIUM SCREW
 B0746T SJG4x8 F/H TITANIUM SCREW(4pcs.)
 B0747T SJG4x10 F/H TITANIUM SCREW
 B0748T SJG4x15 F/H TITANIUM SCREW
 B0750T SJG4x12 F/H TITANIUM SCREW
 B0751T SJG3x32 F/H TITANIUM SCREW(4pcs.)
 B0752Ta SJG3x16 F/H TITANIUM SCREW
 B0753Ta SJG3x5 F/H TITANIUM SCREW
 B0756Ta SJG3x14 F/H TITANIUM SCREW
 B0763T SJG4x20 F/H TITANIUM SCREW(4pcs.)

SHIM SET



B0763 SHIM SET φ 3x5 (0.1/0.2/0.3 10pcs.)
 B0764 SHIM SET φ 4x6 (0.1/0.2/0.3 10pcs.)
 B0765 SHIM SET φ 5x7 (0.1/0.2/0.3 10pcs.)
 B0766 SHIM SET φ 6x8 (0.1/0.2/0.3 10pcs.)
 B0767 SHIM SET φ 8x10 (0.1/0.2/0.3 10pcs.)
 B0768 SHIM SET φ 10x12 (0.1/0.2/0.3 10pcs.)
 B0769 SHIM SET φ 12x15 (0.1/0.2/0.3 10pcs.)