

POLARON

POWER SUPPLY

(12V25A SMPS)

Graupner/SJ

OPERATING INSTRUCTION

Please read this manual thoroughly.

Keep this manual in a convenient place for quick and easy reference.



Graupner/SJ

- CONTENTS -

- BEFORE USE 3
- SUPPROT AND SERVICE 3
 - CUSTOMER SUPPORT 3
 - INTERNET SALES SITE 3
 - A/S REGULATION 3
 - WARRANTY REGULATION 4
- OPENHOBBY A/S CENTER 4
- BOX CONTENTS 4
- SPECIFICATION 5~6
- PRODUCT IDENTIFICATION 7
- DISPLAY EXPLANATION 7
- FEATURES 7
- OPERATING INSTRUCTION 8
- SAFETY PRECAUTIONS 8
- THE GUIDE FOR THE RELATED COUNTRIES' CERTIFICATIONS 9
- ENVIRONMENTAL PROTECTION NOTES 10

© BEFORE USE

Thank you for purchasing POLARON POWER SUPPLY (12V25A SMPS). This system is extremely versatile and may be used by beginners and pros alike. In order for you to make the best use of your system, please read this manual carefully. If you have any difficulties while using your system, please consult the manual, our online Frequently Asked Questions (on the web pages referenced below), your hobby dealer, or the Graupner/SJ Service Center.

Due to unforeseen changes in production procedures, the information contained in this manual is subject to change without notice.

© SUPPORT AND SERVICE

• Customer support

Please feel free to ask any question by e-mail or phone. We've been trying to deal with your question. We are open from nine to six, Monday to Friday in Korea. We may respond to your question by e-mail as soon as possible when we are close.

• Internet sales site

Please feel free to contact "www.openhobby.com" to stay up to date the latest Graupner/SJ Firmware and the newest product line up

• A/S regulation

Only when the product is faulty after normal operation within the warranty period, we will repair the product for free based on our regulations. The repair will be paid for by the consumer when the damage is due to use in improper ways or beyond the warranty period.

• Warranty regulation

Refer the WARRANTY CARD in a Package

© OPENHOBBY A/S CENTER

3245 University Ave, Suite 1520, San Diego, CA 92104, United States of America
 Phone: +1 855-5-RCisHoTT (+1 855-572-4746) Fax: +1 855-546-0350
 E-mail: service@openhobby.com

©2014 Graupner/SJ USA - OPENHOBBY LLC. The HoTT trademark is used with permission of SJ Inc. 4386066

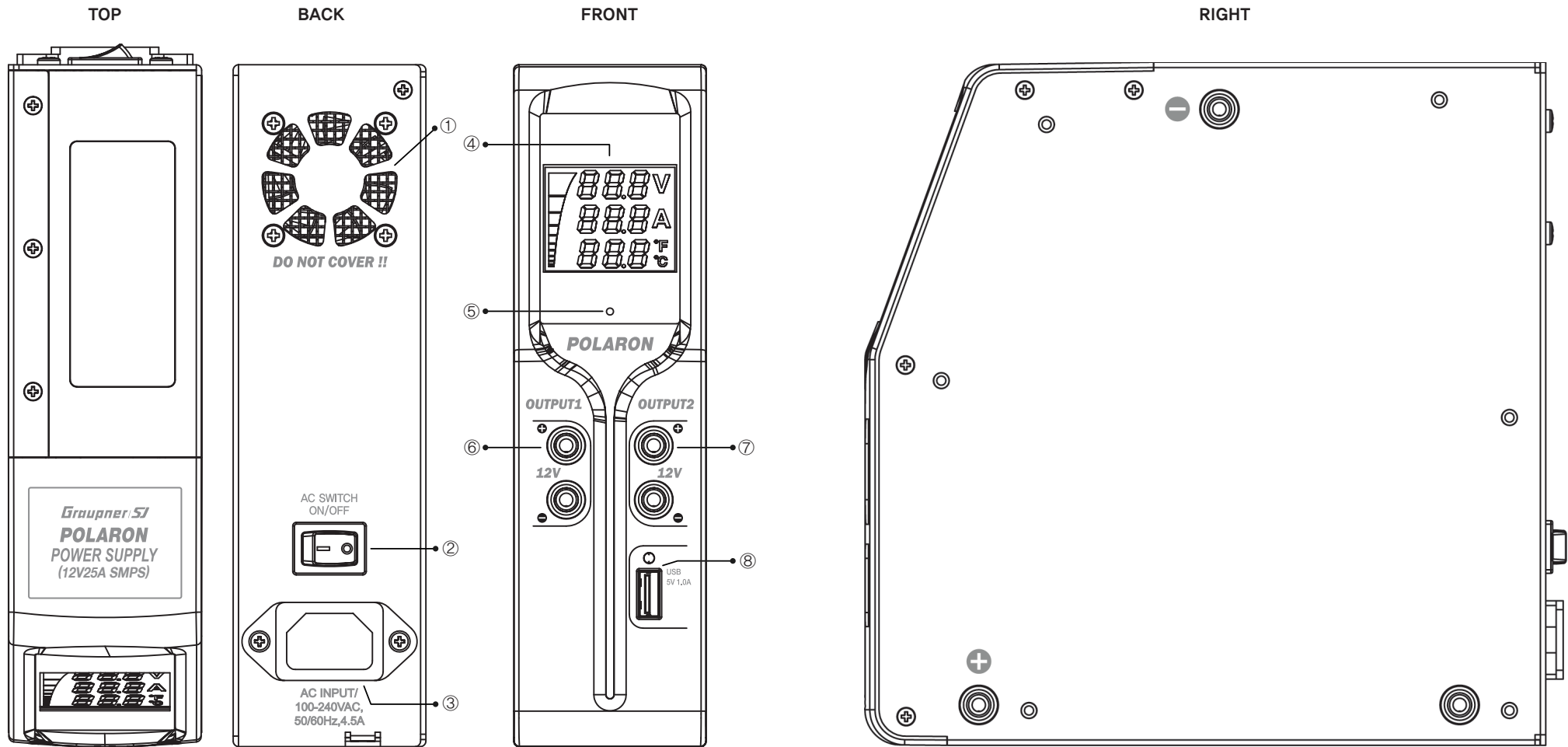
© BOX CONTENTS

• BOX CONTENTS

- | | | |
|--------------------------|-------------------|-------------------------------------|
| 1. Alligator clip 1 pair | 2. AC Power cable | 3. Double gold connector 1set(3pcs) |
| 4. Manual | 5. Warranty card | |

© SPECIFICATION

Input power	AC100-240V 50~60Hz
Output voltage	DC 12V
Output current	25A (Max 30A)
USB output	5.0V 1.0A
Output terminal	Front 2CH (Additional power output), Side 1CH (Docking with POLARON EX/PRO)
Cooling Fan	40x40x20mm (1.57x1.57x0.79in)
Size	55x194.6x199.4mm (2.16x7.66x7.85in)
Display	BLACK&WHITE BACKLIGHT LCD DISPLAY TYPE
Weight	1213g (42.79oz)



- ① Cooling Fan
- ② Power switch
- ③ 100~240V: AC input(100~240V)
- ④ BLACK&WHITE BACKLIGHT LCD DISPLAY TYPE
- ⑤ External temperature sensor
- ⑥ 1Ch Output terminal
- ⑦ 2Ch Output terminal
- ⑧ USB 5V 1.0A
- ⑨ SMPS Docking terminal

◎ DISPLAY EXPLANATION



◎ FEATURES

- The stable DC 12V output by switching power supply system
- The rated 25A (Max 30A) is able to cover all of Graupner/SJ charger
- AC100~240V/50~60Hz Input
- 0~40°C Category temperature range
- Short circuit / Over voltage / Over current / Over power protection function
- 100% full load burn-in test.
- Built in ON/ OFF switch
- Heat suppression design by built in cooling fan and compact circuit
- Several devices can get the power from multi-output at a time
- 5.0V, 1.0A output throughout USB terminal
- Short sensing circuit design
- Easy to carry by small size and light weight
- Docking system with POLARON EX/PRO Charger
- Easy to check the actual voltage and current on LCD
- Enable to check the external temperature on LCD

◎ OPERATING INSTRUCTION

1. Read thoroughly the following instruction before using.
 2. Disconnect the power supply from AC main power before connecting the device to the power supply.
 3. Connect the device to the power supply ensuring the correct polarity. Red is positive, Black is negative
 4. Connect to the charger (POLARON EX/PRO) that can be used in Docking system with the double gold connector
 5. Switch " OFF " with the switch on the rear of this unit and connect AC power cable
 6. Switch " ON " with the switch on the rear of this unit then this unit initiates to supply the power
- NOTICE: The actual voltage and current should be in the specification of this unit

◎ SAFETY PRECAUTIONS

- Never input AC power to DC output terminal
- When POLARON EX/PRO is in Docking with this unit, never input the power to POLARON EX/PRO from the other power supply. It may cause damage to the charger and power supply.
- The output terminal on the side of this unit is for Docking terminal with POLARON EX/PRO. Other charger should use the output terminal on the front
- Do not leave this unit unattended while it is working. The initial reaction is very important in case of damage or fire.
- Be cautious about the short circuit for output cable
- Do not use the too Short cable or damaged cable.
- Do not reverse the positive and negative terminals. Wrong connection will damage the battery and the charger
- Be sure to use this unit within the specification
- Do not allow water, moisture or foreign materials into the charger
- Do not use in humid place and do not operate with wet hands
- Make sure to stop operating this unit when it gets wet, the out of order of by moisture might not be repaired.
- Make sure to stop operating if there is a smell of burning in this unit or it is too hot.
- Do not attempt to modify or disassemble this unit. In this case, A/S might not be provided.
- The repair will be paid for by the consumer when the damage is due to use in improper ways or beyond the warranty period.
- Do not use on the fleecy material such as carpet, blanket, bed, cushion and make sure to use in a hard and flat surface
- Do not use in too hot or cool place and the place exposed to direct sunlight.
- Make sure to use in a well ventilated place and do not block the cooling fan (rear)
- Always disconnect all devices, battery and AC power after charging
- This product is only intended for use with unmanned, hobby-grade remote-controlled vehicles, aircraft, helicopter and boat. OPENHOBBY disclaims all liability outside of the intended purpose and will not provide warranty service related thereto.

Age Recommendation: Not for Children under 14 years. This is not a toy.

(1) KC Information



Product: POLARON POWER SUPPLY (12V25A SMPS)
 HU10746-13001A
 MSIP-REI-sjr-POLARON12V25A

(2) Conformance Europeenne



EMC NO. BCT13DC - 0731E
 LVD NO. BCT13DC - 0731S

Model: POLARON POWER SUPPLY(12V25A SMPS)

Item Number(s): S2012

The object of declaration described above is in conformity with the requirements of the specifications listed below, and accordance with the following applicable

directives: 2004/108/EC Electromagnetic Compatibility

2006/95/EC Low Voltage Directive

EMC : EN55014-1:2006+A2:2011

EN55014-2:1997+A2:2008

EN61000-3-2:2006+A2:2009

EN61000-3-3:2008

LVD : EN60335-2-29:2004+A2:2010

EN60335-1:2002+A1:2004+A11:2004+A2:2006+A12:2006+A13:2008+A14:2010+A15:2011

EN62233:2008

This product must not be disposed of with other waste. Instead, it is the user's responsibility to their waste equipment by handing it over to a designated collection point for the recycling of waste electrical and electronic equipment. The separate collection and recycling of your waste equipment at the time of disposal will help to conserve natural resources and ensure that it is recycled in a manner that protects human health and the environment. For more information about where you can drop off your waste equipment for recycling, please contact your local city office, your household waste disposal service or where you purchased the produce



Blank page with horizontal dotted lines for writing.

Blank page with horizontal dotted lines for writing.